

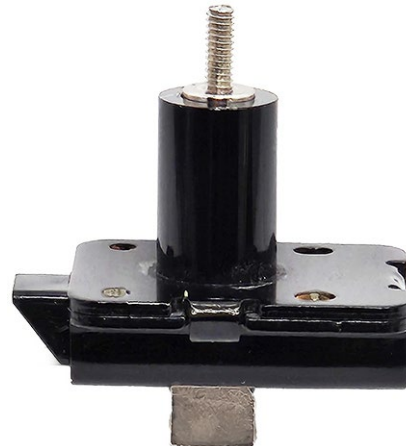


**PULL SLAM LATCH  
MARINE GRADE**



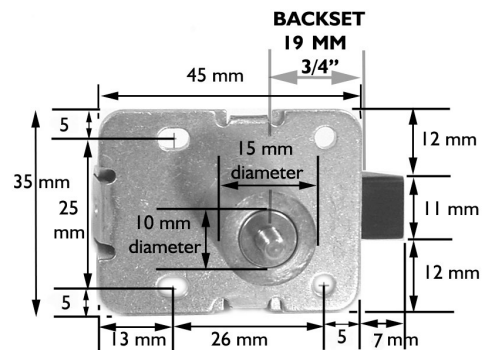
SHOWING PULL ACTION  
Knob & Rose not included

**CUSTOM BACKSET AND  
CUSTOM DOOR THICKNESS**

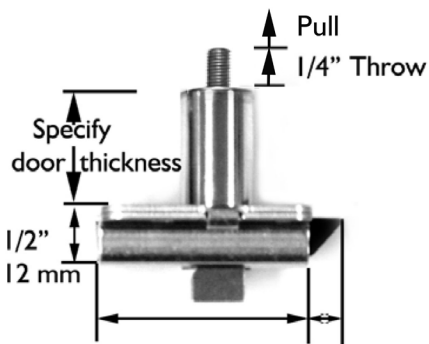


#24.P20: Pull mechanism black coated  
backset 20 mm; 25 mm and 30 mm  
or 3/4"; 1" and 1 3/16"  
Thread size: M4 or 8/32"

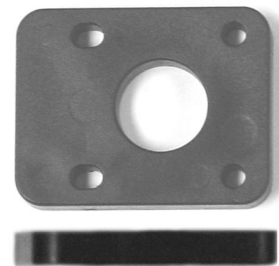
PICTURE FOR ILLUSTRATION PURPOSES ONLY



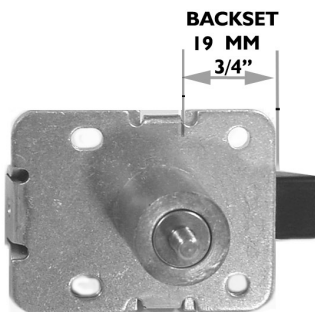
#24.P20 with 20 mm backset



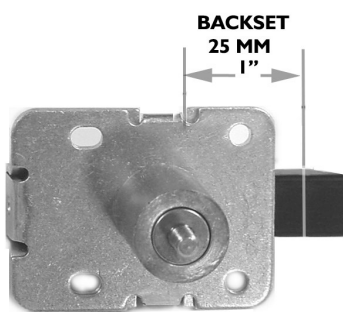
1 3/4" / 45 mm 1/4"-7 mm  
#24.P20 with 20 mm backset



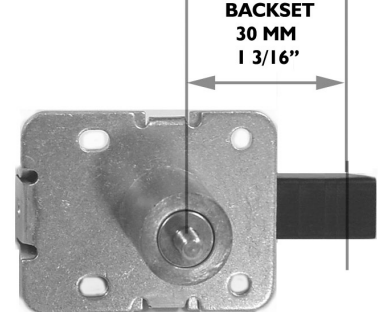
#29.020 Filler plate 6 mm 1/4" thick  
See page 2-2-5-D for all accessories



24.P20 Pull mechanism 19 mm backset ( 3/4"



#24.P25 Pull mechanism 25 mm backset ( 1"



#24.P30 Pull mechanism 30 mm backset ( 1 3/16"



Backset 20 mm	Backset 25 mm	Backset 30 mm	<b>BACKSET MECHANISM IN RELATION TO DOOR LAY OUT</b>
<b>CUT HOLE FOR SHAFT FROM EDGE OF DOOR AT:</b>			<b>DOOR THICKNESS (= B) ORDER FOR 3/4" INCH DOOR, OR 1" DOORS OR SPECIFY CUSTOM DOOR THICKNESS. UPTO 1 1/2" THICK.</b>
<b>Distance = "A"</b> <b>20 mm</b>  <b>Part no:</b> <b>24.P20</b>	<b>Distance = "A"</b> <b>25 mm</b>  <b>Part no:</b> <b>24.P25</b>	<b>Distance = "A"</b> <b>30 mm</b>  <b>Part no:</b> <b>24.P30</b>  <b>up to</b> <b>100 mm</b> <b>/</b> <b>4 inch</b>	<p><b>Layout 1</b></p> <p>Set up with flush doors and flush strike. Strike #22.098S 9 mm lip #22.098M 19 mm lip #22.98L long 30 mm lip</p>
<b>= "A"</b> <b>29 mm</b>  <b>Part no:</b> <b>24.P20</b>	<b>= "A"</b> <b>34 mm</b>  <b>Part no:</b> <b>24.P25</b>	<b>= "A"</b> <b>39 mm</b>  <b>Part no:</b> <b>24.P30</b>  <b>up to</b> <b>100 mm</b> <b>/</b> <b>4 inch</b>	<p><b>Layout 2</b></p> <p>Set up with overlay doors with angle strike for overlay doors Angle Strike #23.097</p>
<b>= "A"</b> <b>28 mm</b>  <b>Part no:</b> <b>24.P20</b> <b>+ filler plate</b>	<b>= "A"</b> <b>33 mm</b>  <b>Part no:</b> <b>24.P25</b> <b>+ filler plate</b>	<b>= "A"</b> <b>38 mm</b>  <b>Part no:</b> <b>24.P30</b> <b>+ filler plate</b>  <b>up to</b> <b>100 mm</b> <b>/</b> <b>4 inch</b>	<p><b>Layout 3</b></p> <p>Setup with flush doors and roller bolt strike 1/4" filler plate required Roller Strike #23.099</p>
<b>= "A"</b> <b>35 mm</b>  <b>Part no:</b> <b>24.P20</b> <b>+ filler plate</b>	<b>= "A"</b> <b>40 mm</b>  <b>Part no:</b> <b>24.P25</b> <b>+ filler plate</b>	<b>= "A"</b> <b>45 mm</b>  <b>Part no:</b> <b>24.P30</b> <b>+ filler plate</b>  <b>up to</b> <b>100 mm</b> <b>/</b> <b>4 inch</b>	<p><b>Layout 4</b></p> <p>Set up with overlay doors and roller bolt strike 1/4" filler plate required Strike #23.099</p>