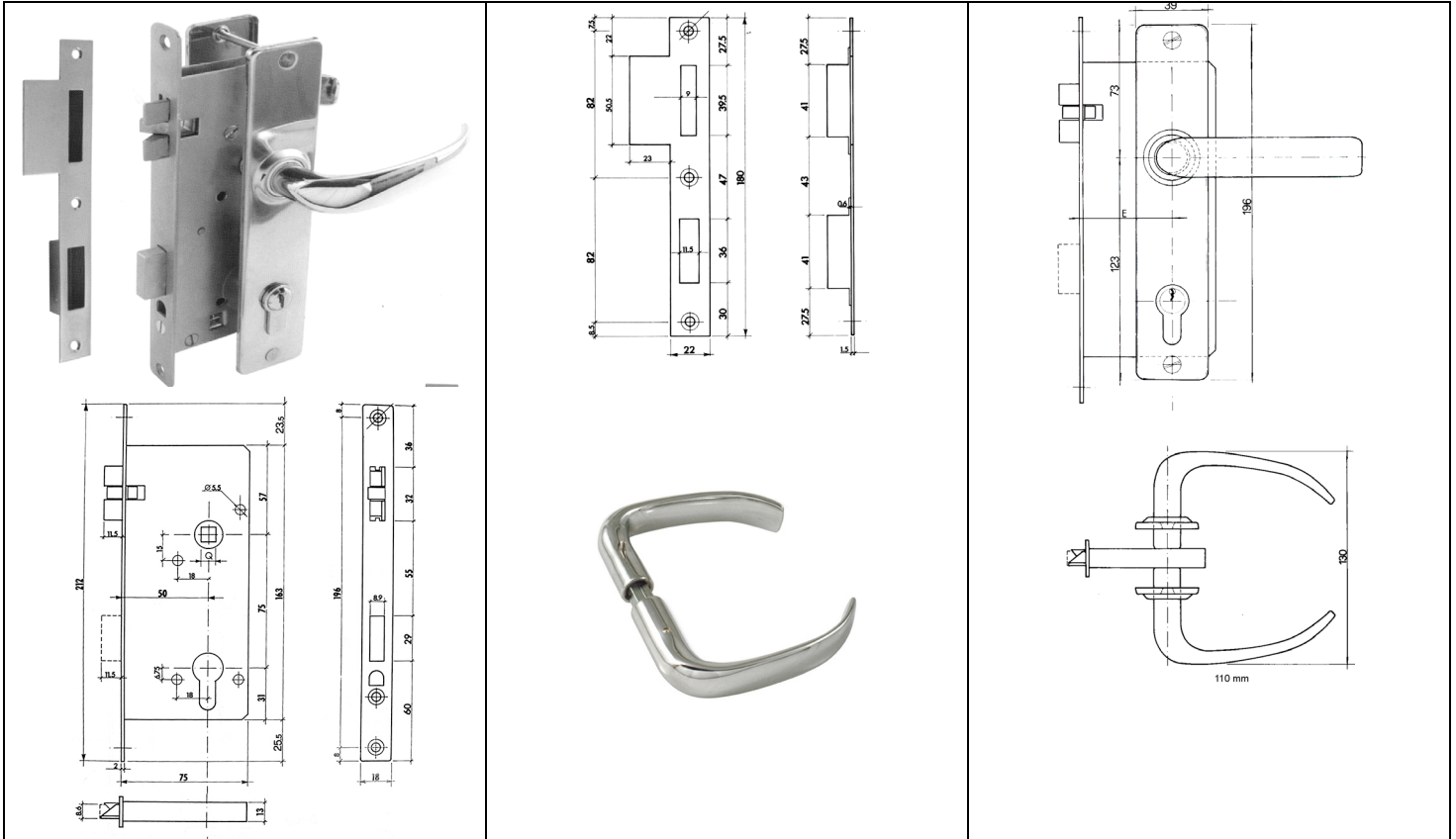
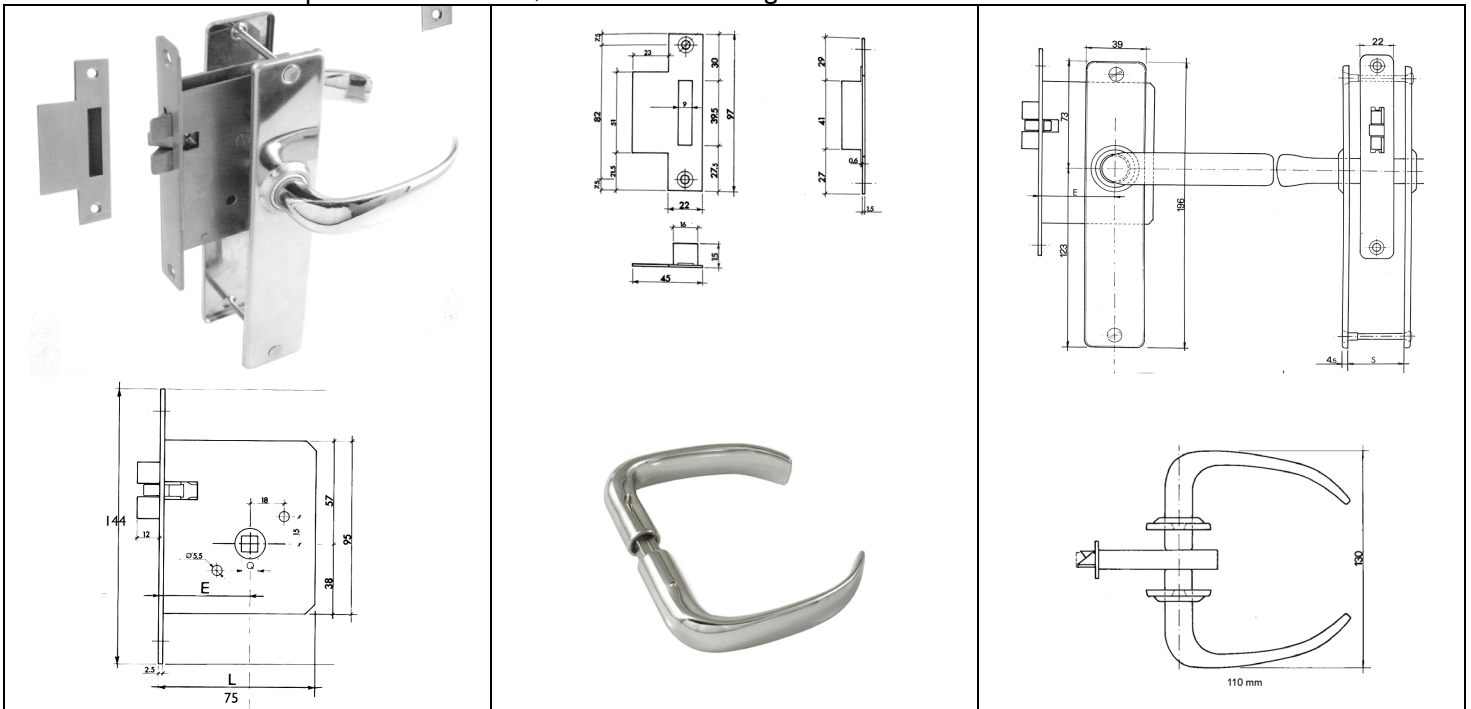


R & C SWINGING DOOR LOCKS

Marine grade; stainless steel and brass chrome plated parts.



#18.2035 SET; Entry Lock; 370 mm backset. Face plate: 212 x 22 x 2 mm; Lock case: 165 high x 75 wide x 13 mm thick. Escutcheon plate: 196 x 36 mm, Lever 110 mm long overall.



#18.2031 SET Passage door lock 50 mm backset. Face plate: 144 x 22 x 2 mm; Lock case: 95 high x 75 wide x 13 mm thick. Escutcheon plate: 196 x 36 mm, Lever 110mm long overall.

- #18.203512 Entry lock separate
- #18.2036 Strike plate for entry lock separate
- #18.3125 Levers pair separate
- #18.3992 Escutcheons for entry lock separate

- #18.204112 Passage latch separate
- #18.2032 Strike for passage latch
- #18.2041 Escutcheons for passage latch separate