

IZERWAREN



Folding Cleats & Bollards



#93.801 Folding Cleat 8 inch



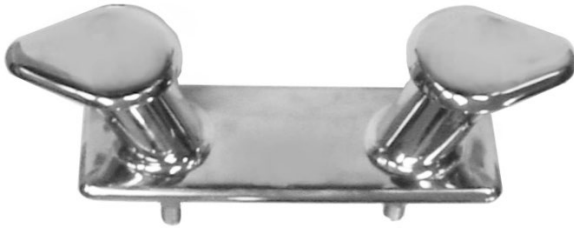
#93.HPPS8 Hawse Pipe 6.5 x 9.5 inch



#92.911 Bollard 18 inch.

23 Edition

Non Corrosive Fine Building and Ships Hardware
SALES@IZERWAREN.COM

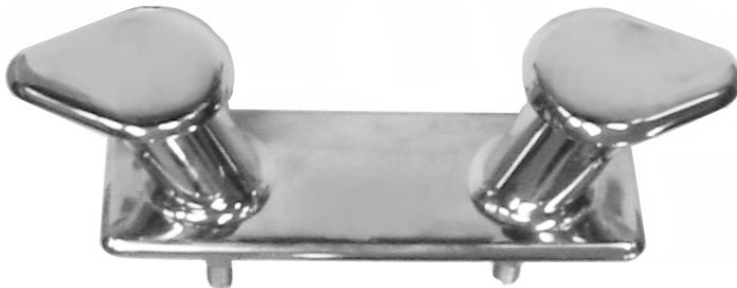


#92.822 Bollard. Size 11 inch
Size: 11" over all length. Height: 4"
Base Plate: 8" x 3"

92.822

Bollard 11" overall

Distances mounting holes: 4 3/4"
for 1/2" inch bolts
Plate: 8 x 3"
316 stainless steel Bollards
Mirror polished



#92.140 Bollard. Size 14 inch
Size: 14" over all length. Height: 4 1/4"
Base Plate: 11" x 3 1/2"

92.140

Bollard 14" overall

Distances mounting holes: 6 1/4"
for 5/8" inch bolts
Plate: 11 x 3 1/2"
316 stainless steel Bollards
Mirror polished

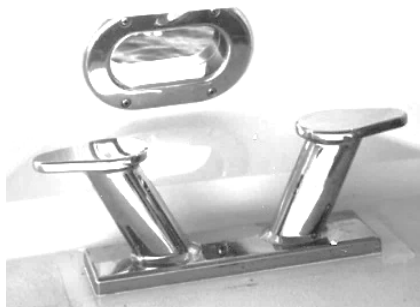


#92.911 Bollard 18 inch.
Base plate: 13 1/2 inch x 4 inch.
Ears: Raised 5 inch from bottom plate; 17.5 inch wide.

92.911

Bollard 18" overall

distances mounting holes: 5"
with 5/8" inch bolts
Plate: 13 1/2" x 4"
316 stainless steel Bollards
Mirror polished



92.HPS8 Series Hawser Pipes Ring

3 sizes available; See page 9-2-1



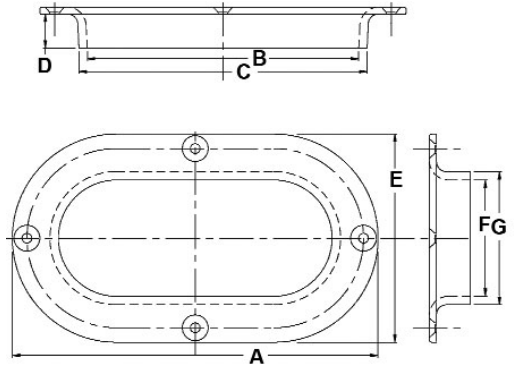
Izerwaren
Order
numbers

316 stainless steel
Hawse pipes
Mirror polished
Sizes in inches & mm

92.HPS8 **Hawse Pipe**
165 X 242 mm
316 s/s mating hawse
pipe, set 6.5 x 9.5 inch

92.HPS7 **Hawse Pipe**
127 x 242 mm
316 s/s mating hawse
pipe, set 5.75 x 9.5 inch

92.HPS6 **Hawse Pipe**
102 x 178 mm
316 s/s mating hawse
pipe, set 4 x 7 inch



#92.HPS8
316 s/s mating hawse pipe, set
Outside: 6.5 x 9.5 inch
Opening: 3 3/4 x 6 7/8 inch

#92.HPS7
316 s/s mating hawse pipe, set
Outside: 5.75 x 9.5 inch
Opening: 3 x 6 7/8 inch

For #92.HPS6
316 s/s mating hawse pipe, set
Outside: 4 x 7 inch
Opening: 1 9/16 x 4 9/16 inch

For #92.HPS8
A= 9.5 inch
E= 6.5 inch
Hawse opening:
: 3 3/4 x 6 7/8 inch
Thickness Mating Sets:
D= FROM 3 1/4 TO 1 5/8 inch

For #92.HPS7
A= 9.5 inch
E= 5.75 inch
Hawse opening:
3 x 6 7/8 inch
Thickness Mating Sets:
D= FROM 3. 1/4 TO 1 5/8 inch

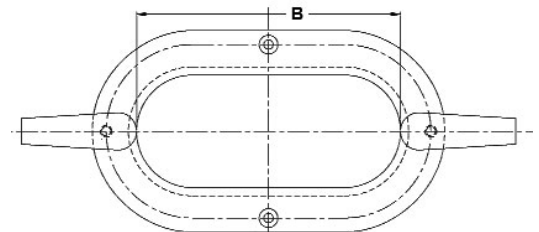
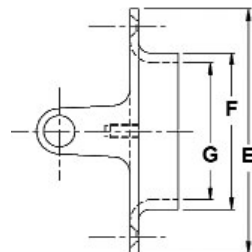
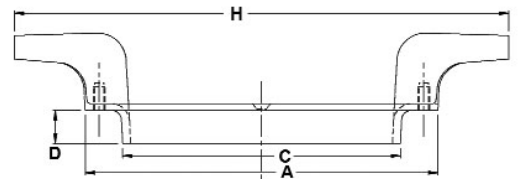
For #92.HPS6
A= 7 inch
E= 4 inch
Hawse opening:
1 9/16 x 4 9/16 inch
Thickness Mating Sets:
D= FROM 2 1/2 TO 1 1/4 inch

92.HPCS3 **Cleat Hawse Pipe**
250 x 132 mm

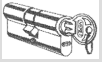
92.HPCS3 Cleat Hawse Pipe



5.25 x 9.25 inch OD.
2.936 x 7.1265 inch ID.
3.115 x 7.5 inch Opening
H= Distance between ears: 14 inch



#92.HPCS3



Top mount folding cleat

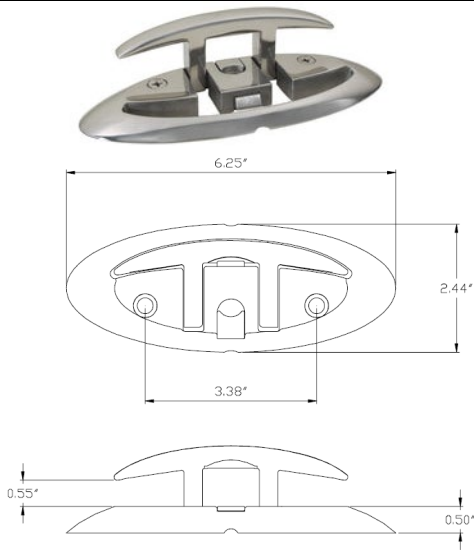
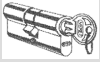
- #93.450 Oval fold down cleat 4.5 inch Top Mount
- #93.603 Oval fold down cleat 6 inch Top Mount
- #93.803 Oval fold down cleat 8 inch Top Mount



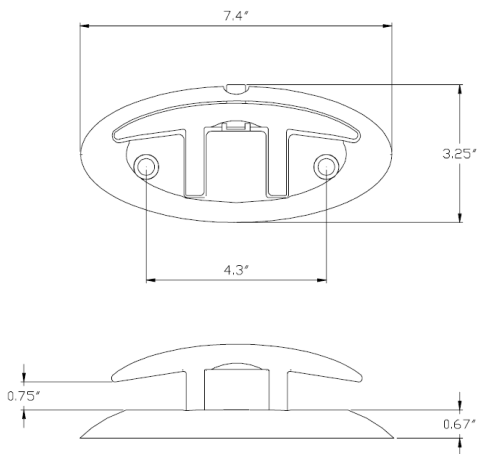
Stud mount folding cleat

- #93.454 Oval fold down cleat 4.5 inch Stud Mount
- #93.604 Oval fold down cleat 6 inch Stud Mount
- #93.804 Oval fold down cleat 8 inch Stud Mount

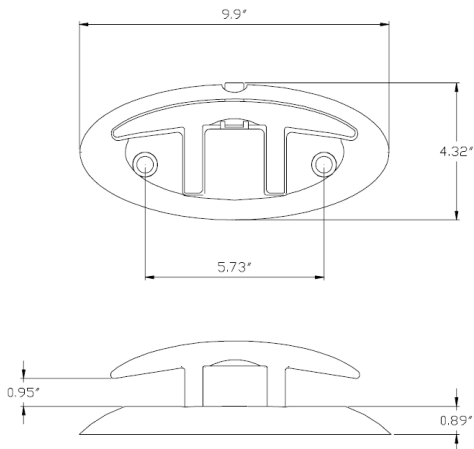
Drawings Please See Page 9-2-6



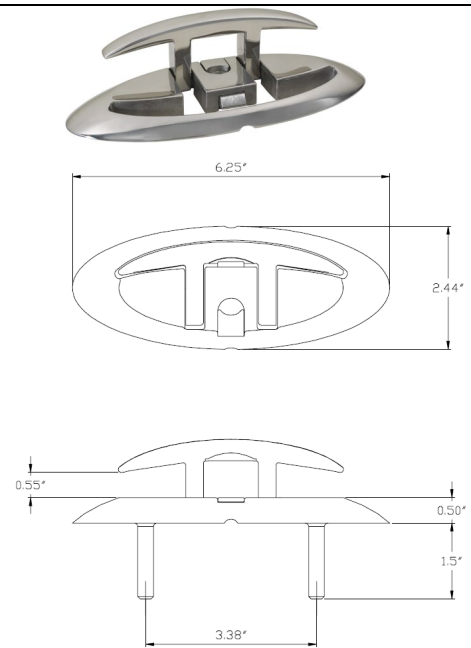
#93.450 Oval fold down cleat 4.5 inch Top Mount



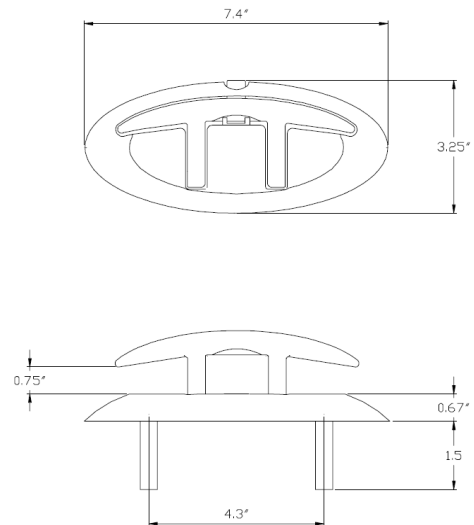
#93.603 Oval fold down cleat 6 inch Top Mount



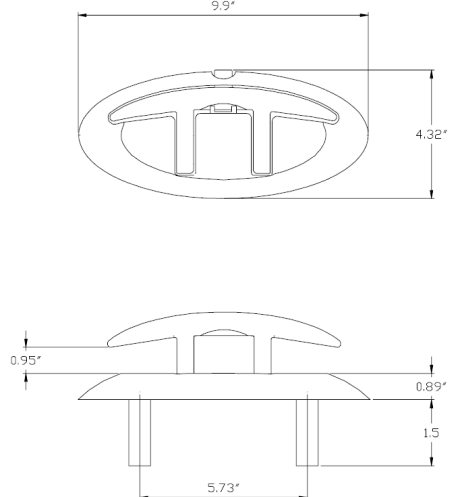
#93.803 Oval fold down cleat 8 inch Top Mount



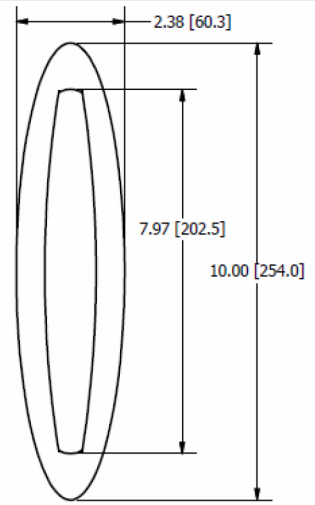
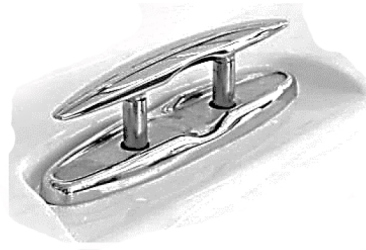
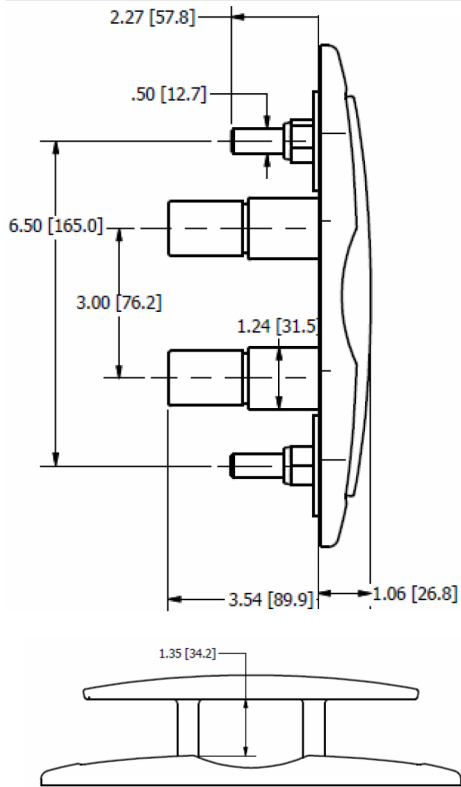
#93.454 Oval fold down cleat 4.5 inch Stud Mount



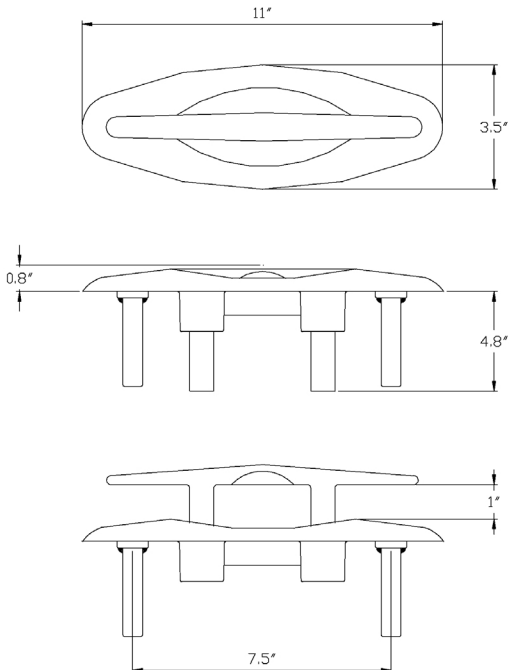
#93.604 Oval fold down cleat 6 inch Stud Mount



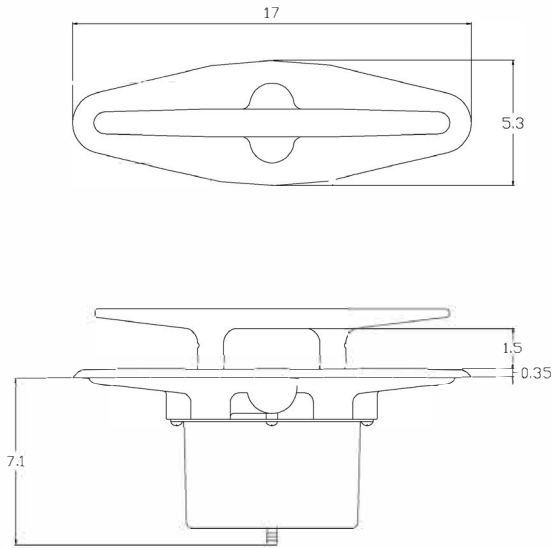
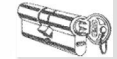
#93.804 Oval fold down cleat 8 inch Stud Mount



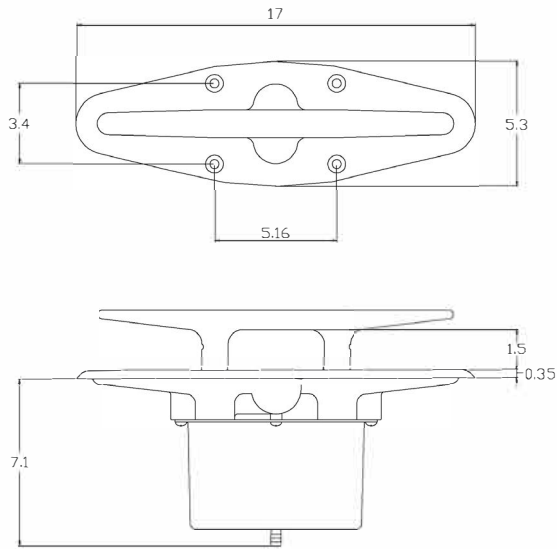
#93.104 Pop up Cleat; Foot print: 10 inch x 2.38 inch. (Slim line 304).
 Spring Loaded. Pops up by pushing button.
 Finish: Polished Stainless Steel.



#93.305 Pop up Cleat; Foot print: 11 inch x 3.5 inch. (Wide line 305).
 Spring Loaded. Pops up by pushing button.
 Finish: Polished Stainless Steel;

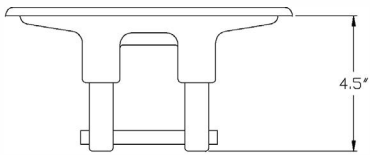
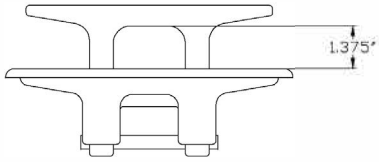
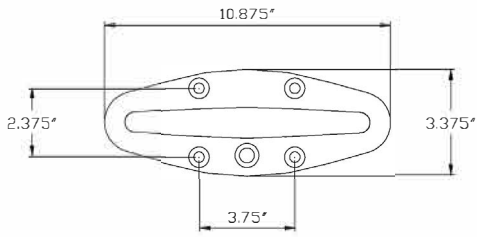


93.103S 15 inch Pull up Cleat; Stud Mounted NO visible screws
Foot print: 17 inch x 3.4 inch. .
Finish: Polished Stainless Steel;

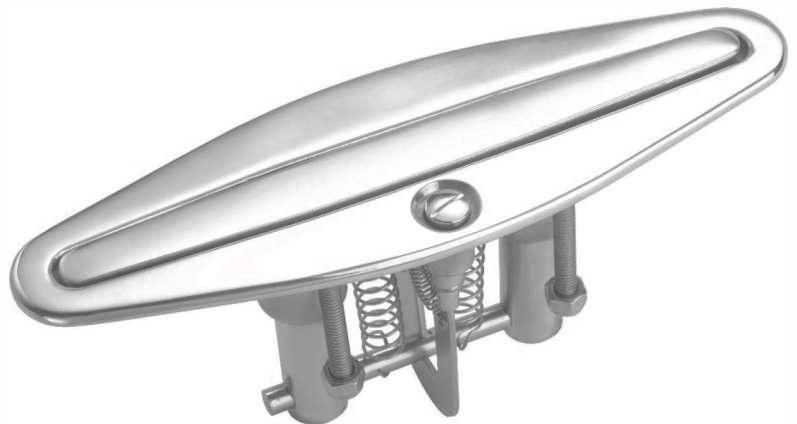
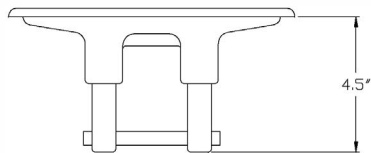
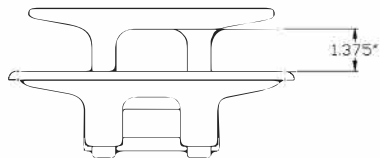
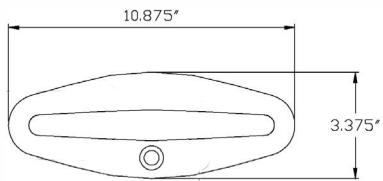


93.103T 15 inch Pull up Cleat; Top Mounted with visible screws
Foot print: 17 inch x 3.4 inch. .





93.102T - 15 inch Pop up Cleat; Top[Mounted with visible screw holes (202-6)
Foot print: 17 inch x 3.4 inch. Finish: Polished Stainless Steel;



93.101S - 15 inch Pop up Cleat; Stud Mounted no visible screw holes (202-6-S)