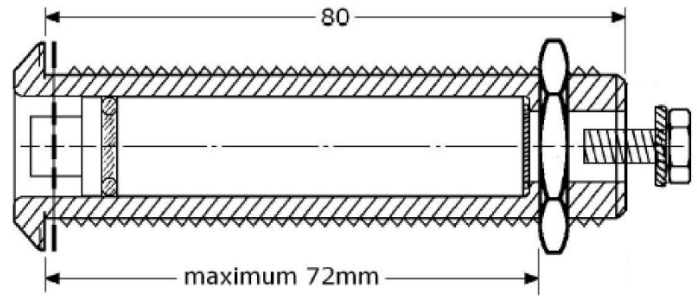
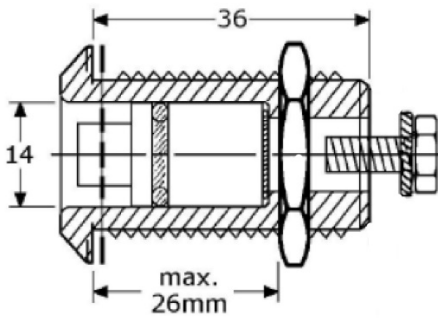


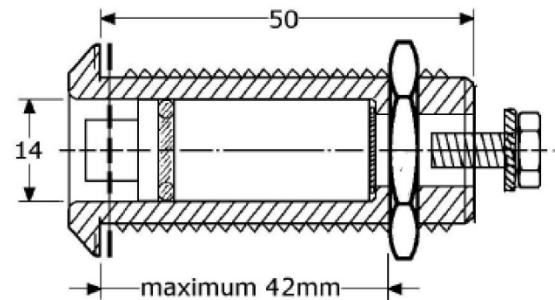
Body #43.118



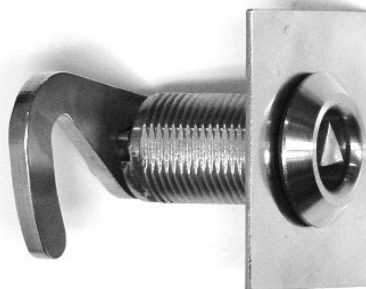
Body #43.280



Body 43.130



Body #43.150



Triangular key Cam Latch Body #43.130 Cam #43.227 Plate #43.295

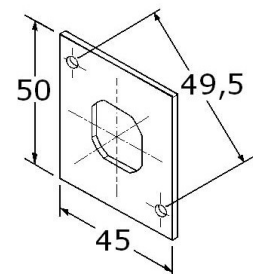
Key operated Cam Latch #43.687K



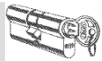
Key Stainless Steel #43.183



Triangular keys #43.180



Mounting plate with holes #43.295



#43.112



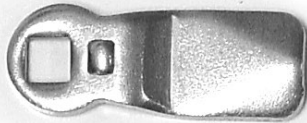
-12 mm ~ 1/2"



#43.100



neutral



#43.104



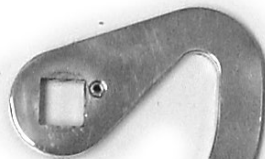
+ 4 mm ~ 1/4"



#43.110



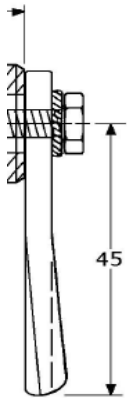
+10 mm ~ 3/8"



#43.227

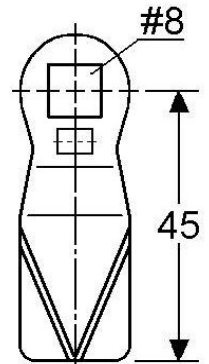


25 mm ~ 1"



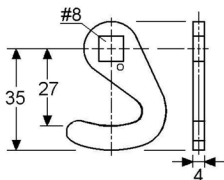
All Cams are 45 mm long measured from center square hole. Square hole 8 x 8 mm Thickness: 4 mm

All sizes are approximate

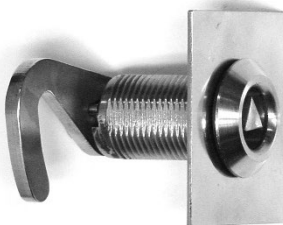


All Cams are 45 mm long measured from center square hole. Square hole 8 x 8 mm Thickness: 4 mm

All sizes are approximate



**Cams be used with the following Cam Latches:**



Cam latch #43.150 with hook cam #43.227 & Cam 43.112



Flush Cam Latch #43.5111 with Turn & Lift Ring and #43.104

